

# Mounting Hanger for Low Ceilings Assembly and Installation Instructions

## LV-CL07

Compatible projector models

LV-7545

Be sure to consult with a qualified installation specialist.

This mounting hanger is specifically for use with our projectors listed on above. Do not use for any other equipment or purposes. Be especially careful that children do not hang from it. Perform proper assembly and installation by following these instructions. Be sure to follow all precautions.

### Precautions



When hanging a projector from the ceiling using this mounting hanger, the ceiling must have adequate strength to support both the projector and the mounting hanger. Before installation, check the combined weight of the projector and hanger, as well as the strength of the ceiling based on that weight. If the strength is insufficient, provide adequate reinforcement before proceeding.

Always mount on a level ceiling. Never install on an inclined ceiling.

During installation, take appropriate measures to prevent lateral swaying due to earthquakes or vibration (using wires, etc.).

The total weight of the mounting hanger itself is **4.5 kg**.

### Included Accessories

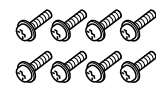
(A)Screw...8



(B)Screw...4



(C)Screw...8



Fastening plate...2



This Manual ...1



### Assembly and Installation

See Fig. 1

1. Turn the projector over, and mount the projector bracket using the four (A) screws.
2. Determine the projection distance, and then determine the mounting position of the ceiling bracket.
3. Mount the ceiling bracket to the ceiling. See the figures for bracket mounting dimensions.
4. Hang the projector by aligning the groove in the projector bracket (attached to the projector) with the ceiling bracket already fastened in place.  
**Note) Be careful not to drop the projector. The projector is not yet securely mounted.**
5. Mount the projector bracket and two fastening plates using the four (B) screws.
6. Tentatively fasten the four (A) screws to the ceiling bracket. (Tighten after determining the projection position.)
7. Mount the securing band to the projector bracket using the eight (C) screws.

### Adjusting the Projection Position

See Figs. 2, 3

1. Inclination angle adjustment :  
After aligning the position with the screen, securely fasten the (A) screws in four locations.
2. Vertical angle adjustment :  
Loosen the (D) screws, align the position with the screen, and then securely fasten the (D) screws.
3. Left/right angle adjustment :  
Loosen the (E) screws, align the position with the screen, and then securely fasten the (E) screws.

Fig. 1 ... Assembly

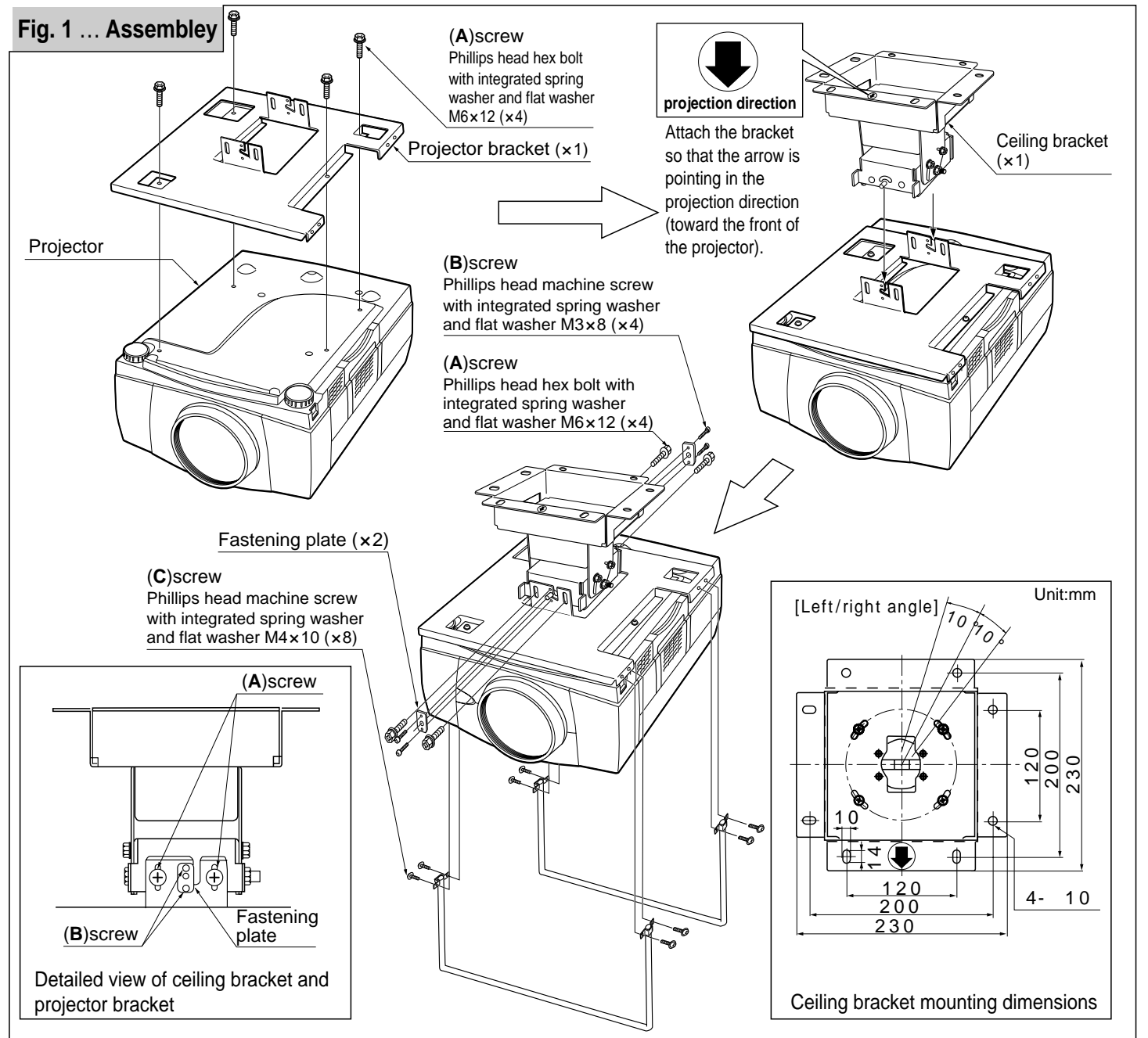


Fig. 2 ... Adjustment (front view)

Unit:mm

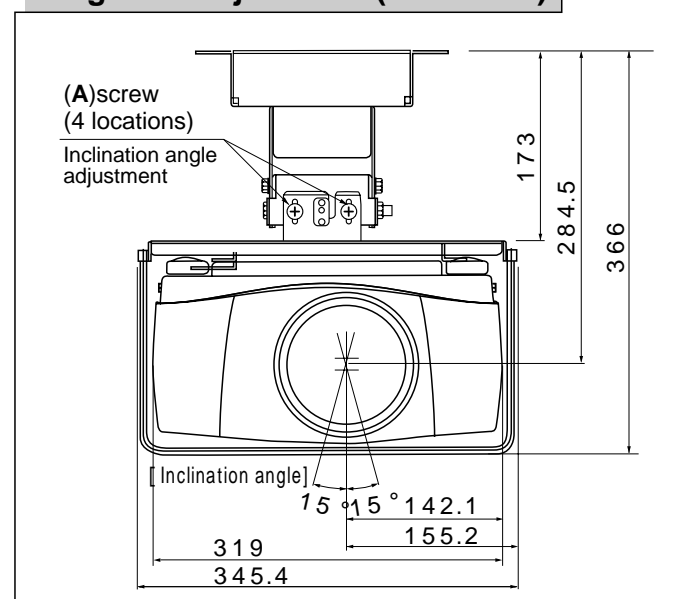


Fig. 3 ... Adjustment (side view)

Unit:mm

